



Designed by
Wilmotte

Anatole

ANATOLE S1 LOW CHAIR

Anatole brings a modern touch to workspaces with its compact form and distinctive details.

Warranty / Cleaning & Maintenance

The warranty period is five years from the date of delivery. Check the QR code below, to see cleaning & maintenance information.




Production Time / Assembly Notes

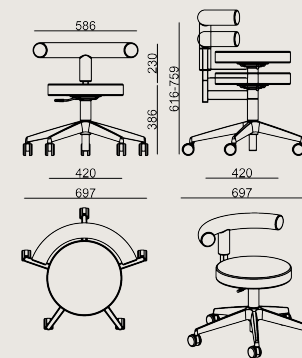
6-8 weeks + Shipping
The product is delivered assembled.

Product Description

- Soft polyurethane shell molded over a metal frame.
 - Gas column and synchro mechanism.
 - Height adjustable.
 - Swivel mechanism and black plastic five-star base.
 - Unloaded-brake black plastic castors for soft floors.
- *Casters suitable for hard floors must be ordered separately.

Dimension

 Volume	0.39 m3 13.77 cbft3
 Package	1
 Weight	16 kg 35.27 lbs



ANATOLE S1 LOW CHAIR FBR B
Overall Width: 697 mm / 27.44"
Overall Depth: 697 mm / 27.44"
Overall Height: 616 mm / 24.25"
Overall Diameter: 788 mm / 31.02"
Seat Width: 420 mm / 16.54"
Seat Depth: 420 mm / 16.54"
Seat Height: 386 mm / 15.2"
Arm Height: 616 mm / 24.25"
For COL: Customer's Own Leather
 130 dm² / 13.99 sq.ft of leather required.
For COM: Customer's Own Material
 1.5 meters / 1.64 yards of fabric required.

COLORS & MATERIALS

Metal Finishes



RAL 7021
ANTHRACITE EPOXY
POWDER COATING

Fabric Finishes

Fabric B: Era, Alba
Fabric C: Furnilana
Fabric D: Synergy, Main Line Flax, KVADRAT
 TECHNICOLOUR
Fabric B+: KVADRAT AUTUMN, KVADRAT
 GUEST, KVADRAT TELEMIA

Leather Finishes

Artificial Leather: Artificial Leathers
Vita Artificial Leather: Vita Artificial Leathers
Leather B: DERI MASTROTTO LINEA 622 NERO
Genuine Leather A: Linea
Genuine Leather B: Atlantic

Scan for all
colors & materials & catalogs

