



Designed by  
**Eckard Hansen-Gerhard Reichert**

## Tristan

TRISTAN S6 VISITOR CHR 23DS E

Tristan, which stands out for its innovative style, was designed by Gerhard Reichert and Eckhard Hansen in 2000. Designed to meet the various needs of different work cultures, Tristan is a family consisting of visitor armchairs as well as meeting and seminar models.

## Warranty / Cleaning & Maintenance

The warranty period is five years from the date of delivery. Check the QR code below, to see cleaning & maintenance information.

## COLORS & MATERIALS

### Metal Finishes



RAL 7021  
ANTHRACITE EPOXY  
POWDER COATING

CHROME

### Fabric Finishes

**Fabric A:** Crepe, FK028, İstanbul  
**Fabric B:** Era, Valor, Alba  
**Fabric C:** Rivet, Furnilana, Jet, Torino, Jeans  
**Fabric D:** Synergy, Main Line Flax, KVADRAT TECHNICOLOUR  
**Fabric E:** Iseo, Matera  
**Fabric F:** Memory 2, Steelcut Trio, Oceanic, Craggan  
**Fabric B+:** KVADRAT AUTUMN, KVADRAT GUEST, KVADRAT TELEMIA

### Leather Finishes

**Artificial Leather:** Artificial Leathers  
**Vita Artificial Leather:** Vita Artificial Leathers  
**Leather B:** DERI MASTROTTO LINEA 622 NERO  
**Geniune Leather A:** Linea  
**Geniune Leather B:** Atlantic

## Production Time / Assembly Notes




6-8 weeks + Shipping  
The product is delivered assembled.

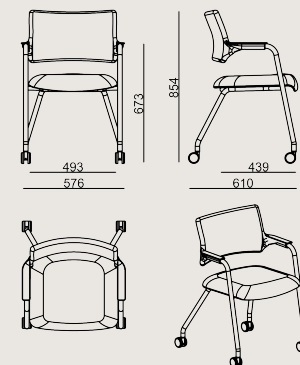
## Product Description

- Polyurethane padded seat and backrest.
- Black plastic armrests.
- Metal legs with chrome plating or powder coating.
- Equipped with brake-unloaded plastic casters compatible with soft flooring.\*

\*Casters for hard floor use are available; please specify and order separately.

## Dimension

	Volume	0.35 m3 12.36 cbft3
	Package	1
	Weight	8 kg 17.64 lbs



TRISTAN S6 VSTR CHR 23 N DS EP FBR A

**Overall Width:** 576 mm / 22.68"  
**Overall Depth:** 610 mm / 24.02"  
**Overall Height:** 854 mm / 33.62"  
**Seat Width:** 493 mm / 19.41"  
**Seat Depth:** 439 mm / 17.28"  
**Seat Height:** 495 mm / 19.49"  
**Arm Height:** 673 mm / 26.5"  
**For COL: Customer's Own Leather**  
100 dm<sup>2</sup> / 10.76 sq.ft of leather required.  
**For COM: Customer's Own Material**  
1 meters / 1.09 yards of fabric required.

Scan for all  
colors & materials & catalogs

