



Designed by
Eckard Hansen-Gerhard Reichert

Tristan

TRISTAN S6 VISITOR CHR 25NDS E

Tristan, which stands out for its innovative style, was designed by Gerhard Reichert and Eckhard Hansen in 2000. Designed to meet the various needs of different work cultures, Tristan is a family consisting of visitor armchairs as well as meeting and seminar models.

Warranty / Cleaning & Maintenance

The warranty period is five years from the date of delivery. Check the QR code below, to see cleaning & maintenance information.

COLORS & MATERIALS

Metal Finishes



RAL 7021
ANTHRACITE EPOXY
POWDER COATING

CHROME

Fabric Finishes

Fabric A: Crepe, FK028, İstanbul
Fabric B: Era, Valor, Alba
Fabric C: Rivet, Furnilana, Jet, Torino, Jeans
Fabric D: Synergy, Main Line Flax, KVADRAT TECHNICOLOUR
Fabric E: Iseo, Matera
Fabric F: Memory 2, Steelcut Trio, Oceanic, Craggan
Fabric B+: KVADRAT AUTUMN, KVADRAT GUEST, KVADRAT TELEMIA

Leather Finishes

Artificial Leather: Artificial Leathers
Vita Artificial Leather: Vita Artificial Leathers
Leather B: DERI MASTROTTO LINEA 622 NERO
Geniune Leather A: Linea
Geniune Leather B: Atlantic




Production Time / Assembly Notes

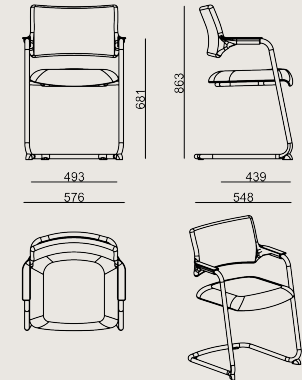
6-8 weeks + Shipping
The product is delivered assembled.

Product Description

- Polyurethane padded seat and backrest.
- Black plastic armrests.
- Metal legs with chrome plating or powder coating.
- Protective glides are attached to the bottom of the legs to protect the floor.

Dimension

	Volume	0.35 m3 12.36 cbft3
	Package	1
	Weight	12.2 kg 26.9 lbs



TRISTAN S6 VSTR CHR 25 N DS EP FBR A
Overall Width: 576 mm / 22.68"
Overall Depth: 548 mm / 21.57"
Overall Height: 863 mm / 33.98"
Seat Width: 493 mm / 19.41"
Seat Depth: 439 mm / 17.28"
Seat Height: 503 mm / 19.8"
Arm Height: 681 mm / 26.81"
For COL: Customer's Own Leather
100 dm² / 10.76 sq.ft of leather required.
For COM: Customer's Own Material
1 meters / 1.09 yards of fabric required.

Scan for all
colors & materials & catalogs

