



Designed by
Studio Kairos

Borges BORGES S3 D0814RK

Borges is a high-quality executive desk that transforms your office into a sophisticated and efficient space. The injection-molded aluminum legs and sleek black chrome surface combine modern aesthetics with durability. Borges elevates your workspace to new heights of style and performance.

Warranty / Cleaning & Maintenance

The warranty period is five years from the date of delivery. Check the QR code below, to see cleaning & maintenance information.

COLORS & MATERIALS

Metal Finishes



SATIN EPOXY
POWDER COATING



3101 WHITE EPOXY
POWDER COATING



3101 WHITE EPOXY
POWDER COATING

Laminate Finishes



Production Time / Assembly Notes




6-8 weeks + Shipping
The product is delivered disassembled.

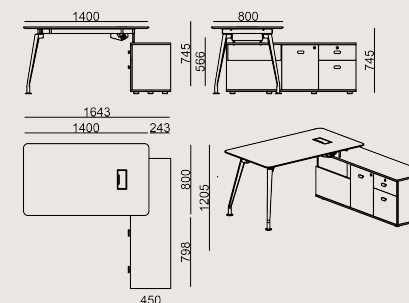
Product Description

- Single desk series; tabletop made of 18 mm chipboard with laminate surface and 2 mm thick edge banding.
- Featuring one powder-coated sheet metal cable grommet and a cable management tray attached under the desk.
- The storage unit's body and top panel are made of 18 mm laminated chipboard with 2 mm thick edge banding.
- The storage unit includes two drawers, a compartment with a door featuring an internal shelf, as well as a dedicated space for a desktop computer tower. At the base of the computer tower compartment, there is a built-in circular cable access port.
- Both the top drawer and the door feature a lock and the product comes with two sets of keys.
- The legs are powder-coated aluminum.
- This series of models is compatible with the Koleksiyon MPS panel and OPF panel series.

*For accurate sizing and model selection, please refer to the Koleksiyon screen spec sheet or usage chart.

Dimension

 Volume	0.68 m3 24.01 cbft3
 Package	4
 Weight	76 kg 167.55 lbs



BORGES S4 D0814RK LAMINATE_EPOXY
Overall Width: 1400 mm / 55.12"
Overall Depth: 800 mm / 31.5"
Overall Height: 745 mm / 29.33"

Scan for all
colors & materials & catalogs

