



Designed by  
**Koray Malhan**

## Threshold

THRESHOLD S0 G2\_1614N

Threshold is a versatile series of desking, self-standing desks, and storage units. It offers an open and flexible system that can be easily combined and configured to suit both compact and spacious environments.

### Warranty / Cleaning & Maintenance

The warranty period is five years from the date of delivery. Check the QR code below, to see cleaning & maintenance information.

### COLORS & MATERIALS

#### Metal Finishes



SATIN EPOXY  
POWDER COATING



RAL 7021  
ANTHRACITE EPOXY  
POWDER COATING



3101 WHITE EPOXY  
POWDER COATING

#### Laminate Finishes



3101 WHITE



3153 OFIS GREY



VT925 WHITE OAK



VT053 SMOKED OAK



VT459 GREY

#### Lacquered Finishes



RAL 9010 WHITE  
LACQUER



RAL 7021  
ANTHRACITE  
LACQUER

### Production Time / Assembly Notes

6-8 weeks + Shipping

The product is delivered disassembled.

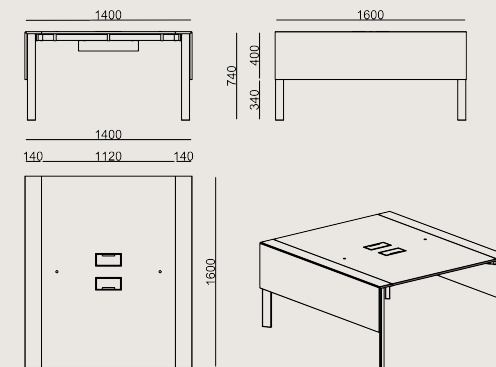
### Product Description

- Dual-user desk series; featuring 18 mm lacquered MDF side panels on both ends and a tabletop made of 18 mm laminated chipboard with 2 mm edge banding.
- Featuring two powder-coated sheet metal cable grommet and a cable management tray attached under the desk.
- The Vertebra cable management system should be ordered separately.
- The legs are aluminum profiles with a powder-coated finish.
- The models in this series are compatible with Koleksiyon APF panel series.

\*For accurate sizing and model selection, please refer to the Koleksiyon screen spec sheet or usage chart.

### Dimension

	Volume	0.62 m3 21.9 cbft3
	Package	4
	Weight	0 kg 0 lbs



THRESHOLD S0 G2\_0814N LAMINATE EPX LACQ  
Overall Width: 1400 mm / 55.12"  
Overall Depth: 1600 mm / 62.99"  
Overall Height: 740 mm / 29.13"

Scan for all  
colors & materials & catalogs

