



Designed by
Koray Malhan

Threshold

THRESHOLD S0 D1_0818R

Threshold is a versatile series of desking, self-standing desks, and storage units. It offers an open and flexible system that can be easily combined and configured to suit both compact and spacious environments.

Warranty / Cleaning & Maintenance

The warranty period is five years from the date of delivery. Check the QR code below, to see cleaning & maintenance information.

Production Time / Assembly Notes

6-8 weeks + Shipping
The product is delivered disassembled.

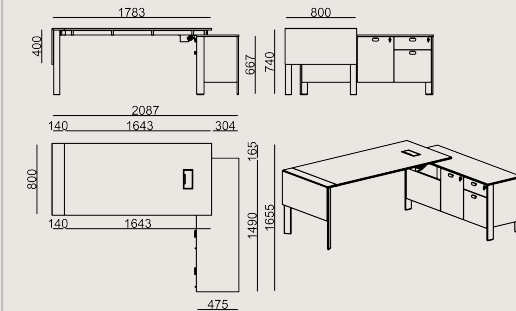
Product Description

- Single desk series; featuring a side panel in 18 mm lacquered MDF and a tabletop in 18 mm laminated chipboard with 2 mm thick edge banding.
- Featuring one powder-coated sheet metal cable grommet and a cable management tray attached under the desk.
- The storage unit's body and top panel are made of 18 mm laminated chipboard with 2 mm thick edge banding.
- The storage unit includes two drawers, a compartment with a door featuring an internal shelf, as well as a dedicated space for a desktop computer tower. At the base of the computer tower compartment, there is a built-in circular cable access port.
- Both the top drawer and the door feature a lock and the product comes with two sets of keys.
- The drawer unit features a central locking system.
- The legs are aluminum profiles with a powder-coated finish.
- The models in this series are compatible with both Threshold Modesty panel and Koleksiyon OPF panel series.

*For accurate sizing and model selection, please refer to the Koleksiyon screen spec sheet or usage chart.

Dimension

	Volume	0.82 m3 28.96 cbft3
	Package	6
	Weight	0 kg 0 lbs



THRESHOLD S0 D1_0818R LAMNTE EPX LACQ ML
Overall Width: 1783 mm / 70.2"
Overall Depth: 800 mm / 31.5"
Overall Height: 740 mm / 29.13"

COLORS & MATERIALS

Metal Finishes



SATIN EPOXY
POWDER COATING



RAL 7021
ANTHRACITE EPOXY
POWDER COATING



3101 WHITE EPOXY
POWDER COATING

Laminate Finishes



3101 WHITE



3153 OFIS GREY



VT925 WHITE OAK



VT053 SMOKED OAK



VT459 GREY



3153 OFIS GREY

Lacquered Finishes



RAL 9010 WHITE
LACQUER



RAL 7021
ANTHRACITE
LACQUER

