



Designed by
Koray Malhan

Threshold THRESHOLD S0 K1_1616N

Threshold is a versatile series of desking, self-standing desks, and storage units. It offers an open and flexible system that can be easily combined and configured to suit both compact and spacious environments.

Warranty / Cleaning & Maintenance

The warranty period is five years from the date of delivery. Check the QR code below, to see cleaning & maintenance information.

COLORS & MATERIALS

Metal Finishes



Laminate Finishes



Lacquered Finishes



Production Time / Assembly Notes

6-8 weeks + Shipping
The product is delivered disassembled.

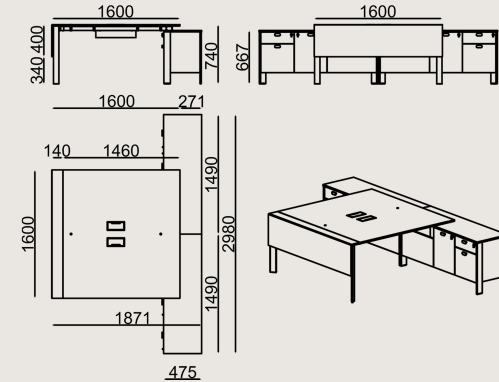
Product Description

- Dual-user desk series; featuring a single side panel in 18 mm lacquered MDF on one end and a tabletop in 18 mm laminated chipboard with 2 mm thick edge banding.
- Featuring two powder-coated sheet metal cable grommet and a cable management tray attached under the desk.
- The storage unit's body and top panel are made of 18 mm laminated chipboard with 2 mm thick edge banding.
- The storage unit includes two drawers, a compartment with a door featuring an internal shelf, as well as a dedicated space for a desktop computer tower. At the base of the computer tower compartment, there is a built-in circular cable access port.
- Top drawer features a central locking system and the product comes with two sets of keys.
- The legs are aluminum profiles with a powder-coated finish.
- The models in this series are compatible with Koleksiyon APF panel series.

*For accurate sizing and model selection, please refer to the Koleksiyon screen spec sheet or usage chart.

Dimension

	Volume	1.52 m3 53.68 cbft3
	Package	7
	Weight	0 kg 0 lbs



THRESHOLD S0 K1_1616N LAMNTE EPX LACQ ML
Overall Width: 1583 mm / 62.32"
Overall Depth: 1600 mm / 62.99"
Overall Height: 740 mm / 29.13"

