



Designed by
Faruk Malhan

Porte

PORTE S1 D0814RK

The Porte Series introduces a revolutionary range of products consisting of single desks to multi-person workstations. Elevate teamwork with Porte meeting tables, seamlessly integrating into your workspace.

Warranty / Cleaning & Maintenance

The warranty period is five years from the date of delivery. Check the QR code below, to see cleaning & maintenance information.

COLORS & MATERIALS

Metal Finishes



SATIN EPOXY
POWDER COATING



RAL 7021
ANTHRACITE EPOXY
POWDER COATING



3101 WHITE EPOXY
POWDER COATING

Laminate Finishes



3101 WHITE



3153 OFIS GREY



VT925 WHITE OAK



VT053 SMOKED OAK



VT459 GREY

Production Time / Assembly Notes

6-8 weeks + Shipping

The product is delivered disassembled.

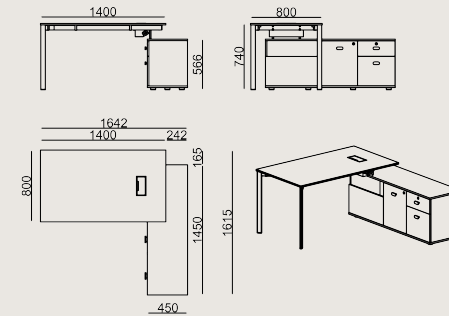
Product Description

- Single desk series; tabletop made of 18 mm chipboard with laminate surface and 2 mm thick edge banding.
- Featuring one powder-coated sheet metal cable grommet and a cable management tray attached under the desk.
- The storage unit's body and top panel are made of 18 mm laminated chipboard with 2 mm thick edge banding.
- The storage unit includes two drawers, a compartment with a door featuring an internal shelf, as well as a dedicated space for a desktop computer tower. At the base of the computer tower compartment, there is a built-in circular cable access port.
- Both the top drawer and the door feature a lock and the product comes with two sets of keys.
- The legs are powder-coated metal.
- This series of models is compatible with the Koleksiyon MPS panel and OPF panel series.

*For accurate sizing and model selection, please refer to the Koleksiyon screen spec sheet or usage chart.

Dimension

	Volume	0.72 m3 25.43 cbft3
	Package	3
	Weight	0 kg 0 lbs



PORTE S1 D0814RK LAMINATE EPOXY
Overall Width: 1400 mm / 55.12"
Overall Depth: 800 mm / 31.5"
Overall Height: 740 mm / 29.13"

Scan for all
colors & materials & catalogs

