



Designed by
Koray Malhan

Threshold

THRESHOLD S0 J1_1616N

Threshold is a versatile series of desking, self-standing desks, and storage units. It offers an open and flexible system that can be easily combined and configured to suit both compact and spacious environments.

Warranty / Cleaning & Maintenance

The warranty period is five years from the date of delivery. Check the QR code below, to see cleaning & maintenance information.

COLORS & MATERIALS

Metal Finishes



3101 WHITE EPOXY
POWDER COATING



3101 WHITE EPOXY
POWDER COATING



SATIN EPOXY
POWDER COATING



Laminate Finishes



Lacquered Finishes



GREY MATTE BEIGE
LACQUER



GREY MATTE BEIGE
LACQUER



GREY MATTE BEIGE
LACQUER

Production Time / Assembly Notes

6-8 weeks + Shipping

The product is delivered disassembled.

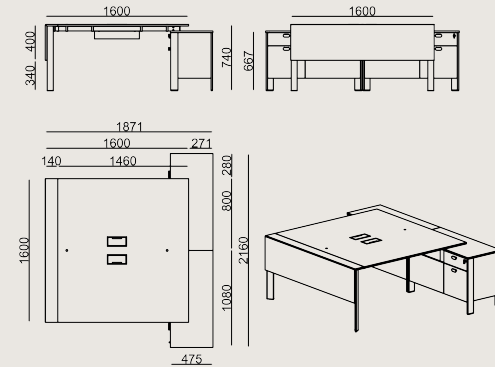
Product Description

- Dual-user desk series; featuring a single side panel in 18 mm lacquered MDF on one end and a tabletop in 18 mm laminated chipboard with 2 mm thick edge banding.
- Featuring two powder-coated sheet metal cable grommet and a cable management tray attached under the desk.
- The storage unit's body and top panel are made of 18 mm laminated chipboard with 2 mm thick edge banding.
- The storage unit includes two drawers and a desktop computer tower compartment. At the bottom of the desktop computer tower compartment, includes an internal circular cable access port at the base.
- Top drawer features a central locking system and the product comes with two sets of keys.
- The legs are aluminum profiles with a powder-coated finish.
- The models in this series are compatible with Koleksiyon APF panel series.

*For accurate sizing and model selection, please refer to the Koleksiyon screen spec sheet or usage chart.

Dimension

	Volume	1.29 m3 45.56 cbft3
	Package	7
	Weight	0 kg 0 lbs



THRESHOLD S0 J1_1616N LAMNTE EPX LACQ ML
Overall Width: 1583 mm / 62.32"
Overall Depth: 1600 mm / 62.99"
Overall Height: 740 mm / 29.13"

